

the
minimoog
synthesizer

operation manual



Academy Street (P.O. Box 131)
Williamsville, N.Y. 14221 • phone (716) 633-2280



MINIMOOG MODEL D FRONT PANEL

A GUIDE TO THE OPERATION OF THE MINI MOOG
MODEL D

A. INTRODUCTION

An electronic music synthesizer is a musical instrument whose circuitry can be interconnected and set up in a large variety of ways to produce a broad spectrum of musical sounds. The component circuit controls and interconnections of the Mini Moog Synthesizer are arranged in a logical and convenient way which is ideal for live performance.

The purpose of this manual is to acquaint you with the component circuitry of the Mini Moog and the operation of each of the controls and switches regulating the generators, modifiers, and control devices involved in the synthesizing of a musical sound. After proceeding step by step through the instructions outlined below, you should be ready to begin using your instrument creatively and efficiently.

B. BASIC MINI MOOG FEATURES

The Mini Moog contains the basic components and features to be found on larger, studio-oriented synthesizers. Its five sound sources include three oscillators for the production of pitched tones, one noise source for the production of unpitched sounds, and one microphone preamplifier for the introduction of live signals. Mixer controls are available for balancing these signals.

Sound modifiers include a lowpass filter and an amplifier, both of which have their own contour generators. The control devices include a 44-note keyboard for use by the right hand, and two wheel controls and two switches for use by the left hand.

Provision is made at the rear of the instrument for connecting external controlling devices such as sequencers, foot pedals, and two-dimensional (joystick) controllers. These may be used to control volume, pitch, and filter characteristic. Timing signals may also be introduced to trigger the contour generators.

C. AUDIO, CONTROL, AND TIMING SIGNALS

Sound travels through the Mini Moog circuitry in the form of electrical signals which are called AUDIO signals. These audio signals are generated by the five sound sources, and after undergoing extensive modification emerge as the output signal. It is this signal, amplified, which is translated into sound by your speaker system.

There are two other types of signals which are not heard directly as sound, but instead are used to influence the way in which the generating and modifying circuitry performs:

CONTROL signals are used to change the pitches of the oscillators, the characteristics of the filter, and the amount of amplification by the amplifier. These control signals are responsible for all of the musically significant changes and contours in the musical sounds produced by the Mini Moog.

TIMING signals come from the keyboard (or from an external source) and are used to trigger, or start off, the contours which open and close the filter and amplifier. A timing signal begins whenever a key on the keyboard is depressed, and stops when all keys are released. Timing signals are used to initiate and terminate musical sounds whereas control signals are used to shape and change these sounds while they occur.

D. SETTING UP THE INSTRUMENT

- 1) Place the instrument at a convenient level for playing and secure the Front Panel in the "up" position by means of the metal bracket underneath.
- 2) Set all switches in the off position (left-hand or bottom half depressed).
- 3) Referring to Fig .1, set all of the control knobs as indicated.

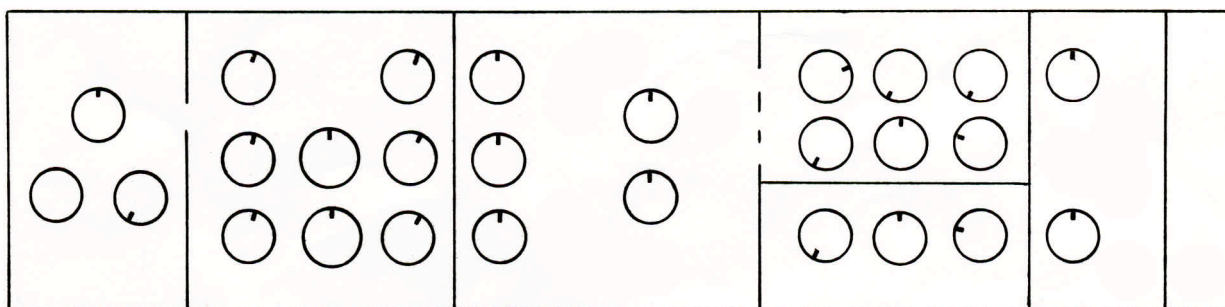


Fig. 1

- 4) Plug the power cord into any conventional 117 Volt A.C. outlet.

- 5) Two 6' patch-cords are supplied with the Mini Moog. If you are using a portable, guitar-type amplifier, run the cord with the phone plug at each end from the LOW level MAIN OUTPUT jack on the rear connector strip of the Mini Moog to an input on your amplifier. If you are using a monitor amplifier, you will need to use the other cord. Plug the phone plug end into the HIGH level MAIN OUTPUT jack of the synthesizer, and run the small phono-plug at the other end into the high level input of the monitor amplifier (or into the line level input of a tape recorder).

The following sections of this guide will be devoted to a systematic description of individual control functions in relation to the synthesizer's component circuits.

E. OUTPUT SECTION

The Output section of the front panel includes two basic switches: the POWER switch, which turns the instrument on and off, and the MAIN OUTPUT switch, which sends the final audio signal out the MAIN OUTPUT jacks at the rear and into your amplifier. In addition, there are volume controls for the MAIN OUTPUT and HEADPHONE signals, and an A-440 switch, all of which will be described below.

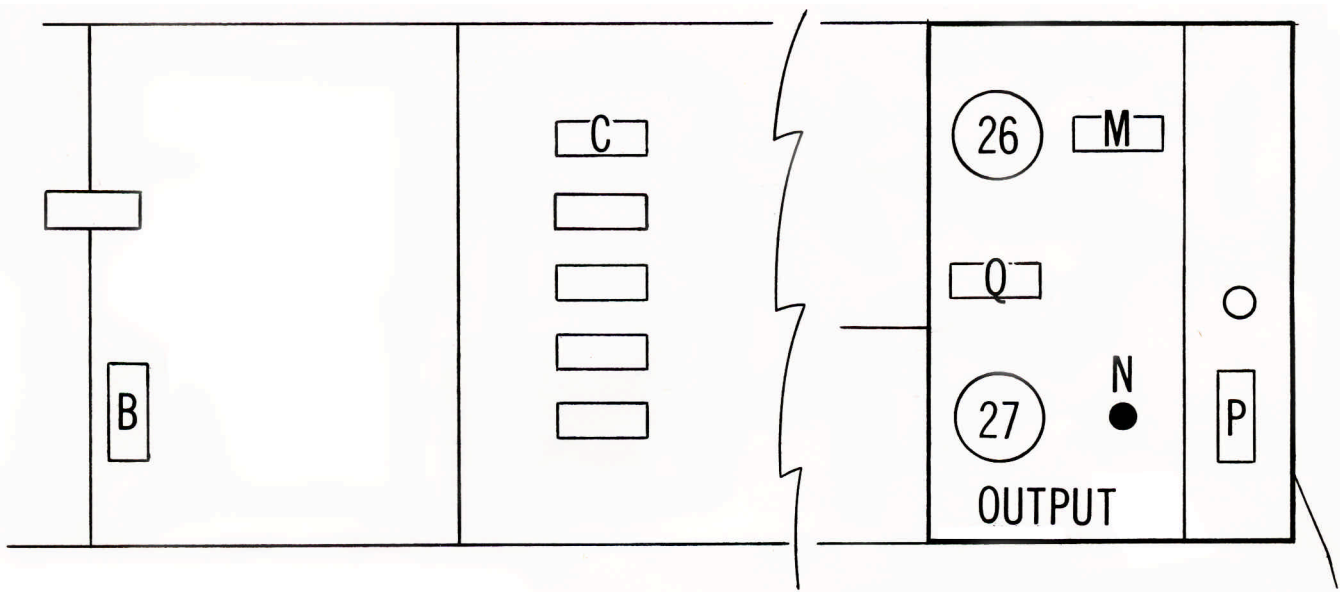


Fig. 2

- 1) Turn on the POWER switch (P). The instrument should generally be given about ten minutes to warm up before tuning and playing. Once warmed up, there is practically no limit to the length of time it may be kept on and in use.
- 2) Turn on switches (B) and (C) and the MAIN OUTPUT switch (M). Adjust the volume control on your amplifier so that, as you play the keyboard, fairly loud tones are heard. Further adjustments in the overall volume may be made with the MAIN OUTPUT VOLUME control (26)
- 3) Briefly turn on the A-440 switch (Q). This signal will be used for tuning the instrument, and is not used during actual performance. Tuning procedure will be described in Section G. step 11.
- 4) A separate output is available for headphones, in addition to the MAIN OUTPUT. For quiet practice, or for tuning up prior to performance, the MAIN OUTPUT switch may be turned off, so that the audio signal is not fed into the amplifier. A pair of low impedance headphones with a "stereo" plug may be plugged into the jack labelled PHONES (N). The HEADPHONE VOLUME control (27) is then used to regulate the volume of the headphone signal.

F. OSCILLATOR BANK

This group of circuits contains three separate and independent oscillators. Each oscillator produces a waveform which repeats regularly, thereby giving rise to a tone of definite pitch. The audio signal outputs of the three oscillators are activated by turning on mixer switches (C), (E), and (G). Since switch (C) is now on, we are hearing the output of oscillator 1, which is the top row of controls (4, 5, and 12).

- 1) The RANGE switch (4) determines the pitch range in which the oscillator functions. Press down a key in the middle of the keyboard, and turn the RANGE switch through its 6 positions. You will hear that all positions except the lowest are separated by one octave. The LO position produces sub-audio clicks which may be used for rhythmic effect. Return the switch to its 8' position.
- 2) The WAVEFORM switch (5) selects one of six waveforms, each of which has a different overtone spectrum, and therefore produces a different basic tone quality. From left to right, the available waveforms are: triangular, sawtooth-triangular, sawtooth, square, wide rectangular, and narrow rectangular. (Oscillator 3 substitutes a reverse sawtooth for the sawtooth-triangular.) Hold a key down and run the WAVEFORM switch through its positions, noticing how the tone quality changes.

The triangular waveform has the least harmonic content; the narrow rectangular has the most. Generally your ear will be your best guide in deciding which waveform to use for a particular quality.

- 3) The VOLUME control (12) adjusts the amount of Oscillator 1 signal which is fed to the mixer, while switch (C) instantly turns the oscillator on or off. Oscillators 2 and 3 may be heard by turning on switches (E) and (G) respectively, and their relative volumes may be adjusted with VOLUME controls (13) and (14).
- 4) FREQUENCY controls (7 and 10) are found only on Oscillators 2 and 3. These controls raise or lower the pitch of their oscillator by as much as a major sixth with respect to Oscillator 1. To hear this, turn on switches (C) and (E), turn off (G), and depress a key. Adjust control (7) until the pitches of Oscillators 1 and 2 are nearly in unison. As you move up and down the keyboard, the pitches of the two oscillators will move together. Now turn control (7) clockwise while depressing a key, until a perfect fifth is made. Once again, this interval will remain constant as you play different notes on the keyboard. Any intervals within the range of the oscillators may be set up simply by setting the RANGE switches and FREQUENCY controls appropriately.
- 5) By turning off the OSCILLATOR 3 CONTROL switch (B), Oscillator 3 may be disconnected from the control of the keyboard. To observe this, turn off switches (B), (C), and (E), and turn on switch (G). The pitch of the oscillator will not change as different keys are struck. You will also observe that Oscillator 3's FREQUENCY control has a much wider range when switch (B) is off. If you hold down one key and turn control (10) through its range, you will hear a frequency sweep of 6 octaves rather than one octave.

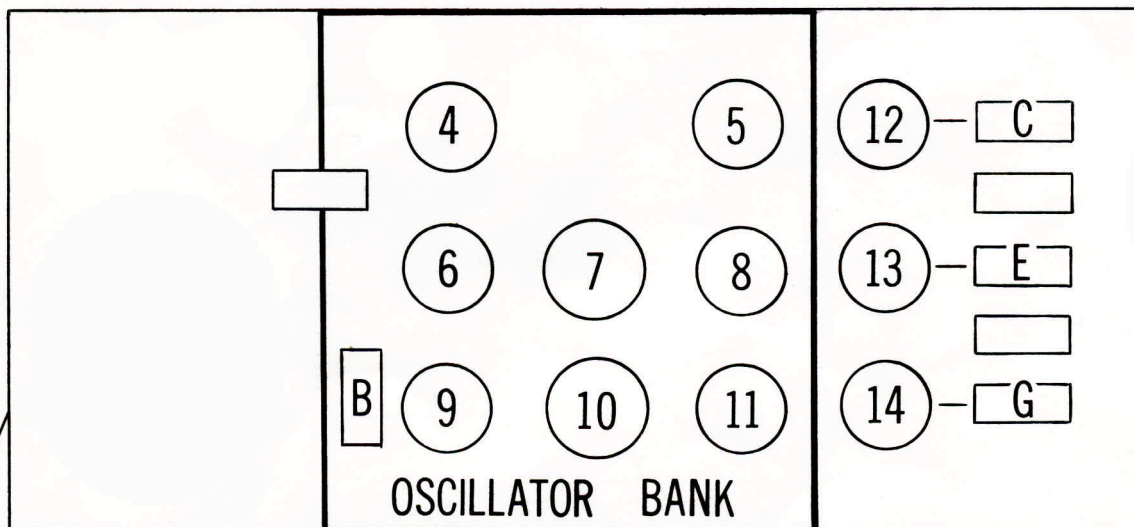


Fig. 3

G. CONTROLLERS

This section will demonstrate the use of the controls located to the left of the Oscillator Bank (used in tuning and setting up a sound), as well as the keyboard and the manual controls on the panel to its left (used during performance). All of these controls have an effect on the oscillators' pitches, while the Modulation Mix and keyboard may also be used to control the filter.

MODULATION MIX

Oscillator 3, unlike Oscillators 1 and 2, is available as a control signal in addition to functioning as an audio signal. As a control signal, it may be mixed with the output of the Noise Source using the MODULATION MIX control (3) and introduced whenever the performer wishes, using the MODULATION wheel (29). The procedure described below will familiarize you with the use of the Modulation Mix in controlling the pitch of Oscillator 1:

- 1) Turn off switch (B), so that the pitch of Oscillator 3 is not affected by the keyboard.
- 2) Turn off switch (G) and turn on switch (C). Now you are hearing Oscillator 1, but not Oscillator 3, when a key is depressed.
- 3) Set Oscillator 3's RANGE switch (9) to the LO position, its FREQUENCY control (10) to mid (0) position, and its WAVEFORM switch (11) to the triangular (extreme left) setting. This produces a very low frequency triangular waveform which oscillates only a few times a second.
- 4) Set the MODULATION MIX control to 0, so that its signal is that of Oscillator 3. Turn on the OSCILLATOR MODULATION SWITCH (A). This switch directs the Modulation Mix signal to control the oscillators' pitches.
- 5) The slowly varying output voltage of Oscillator 3 is now going through the MODULATION wheel (29) at the left of the keyboard, and from there may be applied to periodically change the oscillators' pitches (we will hear its effect on Oscillator 1). The MODULATION wheel is in effect a level control for the Modulation Mix. Slowly move the MODULATION wheel back and forth with your left hand while holding down a key with your right hand. The position of the Modulation wheel will determine the amount of variation you hear in the pitch of Oscillator 1.
- 6) Change the setting of Oscillator 3's FREQUENCY control and notice the resulting increase and decrease in the speed of the modulation

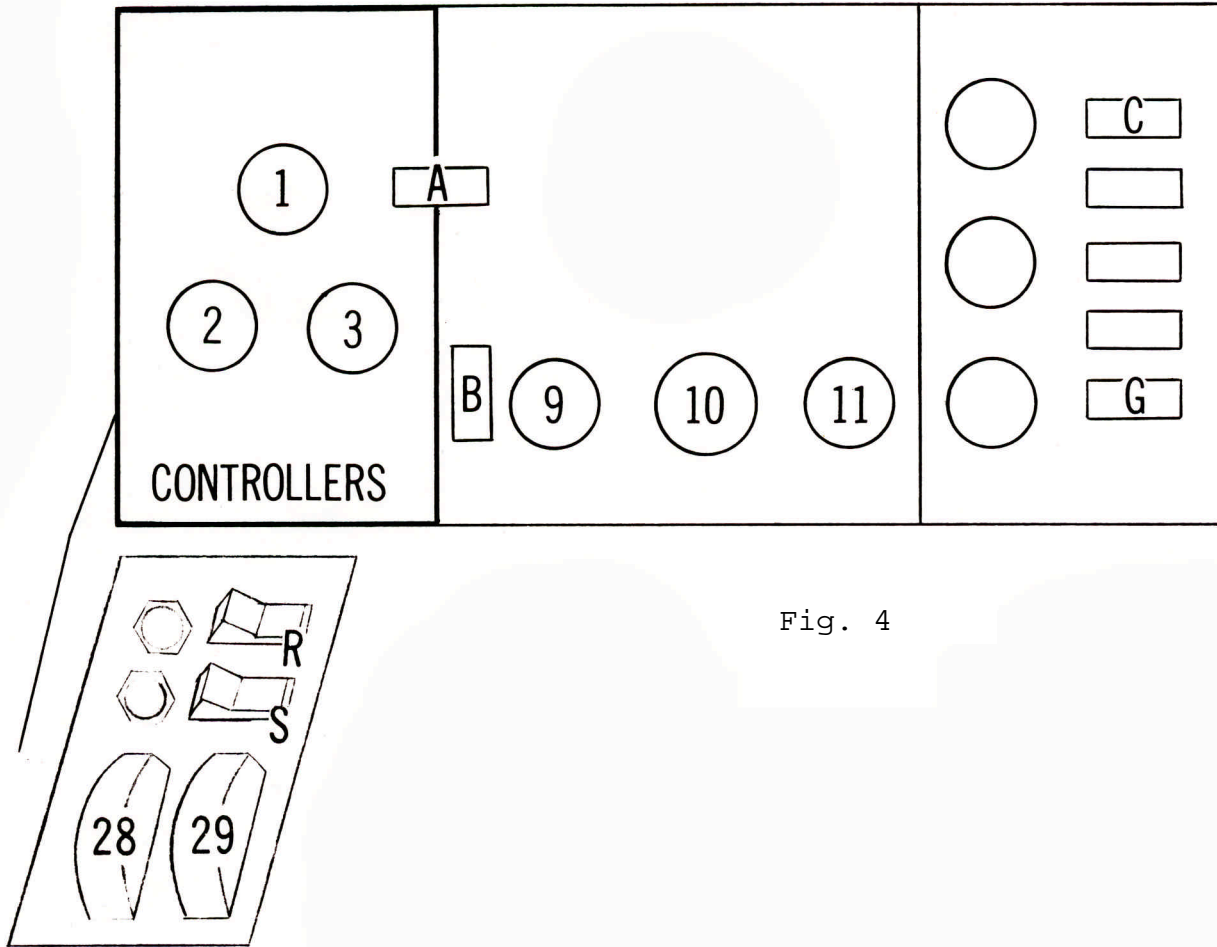


Fig. 4

- 7) Change the setting of Oscillator 3's WAVEFORM switch and you will notice the change in the shape of the modulation. You should actually be able to hear the contours of the different waveforms--the alternation of high and low tones in the square wave, the repeated upward glissandi of the sawtooth, etc.
- 8) The setting of the MODULATION MIX control determines the proportions of the mixture of Oscillator 3 and Noise Source. As you slowly turn this control clockwise, you will hear less periodic modulation and more random modulation.
- 9) Before continuing, defeat the oscillator modulation by turning off switch (A).

OTHER CONTROLLERS

- 10) The PITCH wheel (28), located next to the MODULATION wheel to the left of the keyboard, is used to bend the pitch determined by the keyboard (as much as half an octave up or down) when the performer wishes to introduce expressive nuances to individual notes during performance. Depress a key, and move the PITCH wheel back and forth with your left hand. Notice that you can reset the control by feel--a detent mechanism holds it in its normal center position.
- 11) The TUNE control (1) is used to tune up the Mini Moog oscillators to the pitch of the ensemble in which it is being used, or to its A-440 reference tone. Check to see that switch (C) is on, and notice that, when a key is depressed, the pitch moves up and down by a few tones as the TUNE control is turned through its range. Make sure the PITCH wheel is in its center position, and turn on the A-440 switch (Q). Depress an A key on the keyboard, and adjust the TUNE control so that the two A's are in tune with each other. Turn off the A-440. The other two oscillators may now be tuned to Oscillator 1 using their FREQUENCY controls.
- 12) The GLIDE control (2) regulates the amount of portamento, or glide, heard between pitches as first one key and then another is depressed. This control is activated by turning on the GLIDE switch (R). Setting the GLIDE control at various levels, play a scale or arpeggio, first with the GLIDE switch on, then using the switch to introduce glide selectively between certain notes only. Notice that the further to the right control (2) is set, the longer it will take a tone to move from one pitch to the next.
- 13) Finally, the KEYBOARD itself functions as a controller. It produces a control signal which varies according to the position of the key struck. If more than one key is held down, only the lowest one has effect. The control output of the KEYBOARD is permanently connected to Oscillators 1 and 2. Switch (B) couples it to Oscillator 3. Switches (K) and (L) couple it to the filter, and are discussed in Section J, step 8. The KEYBOARD also produces a timing signal each time a key is depressed. This will be discussed in Section J in connection with filter and loudness contour controls.

H. MIXER

Audio signals produced by the three oscillators, noise source, and microphone preamplifier are combined and balanced by the Mixer section's switches and volume controls. It is this composite signal, the output of the mixer, which is then modified by the filter and loudness contour controls and appears as the audio output signal of the Mini Moog.

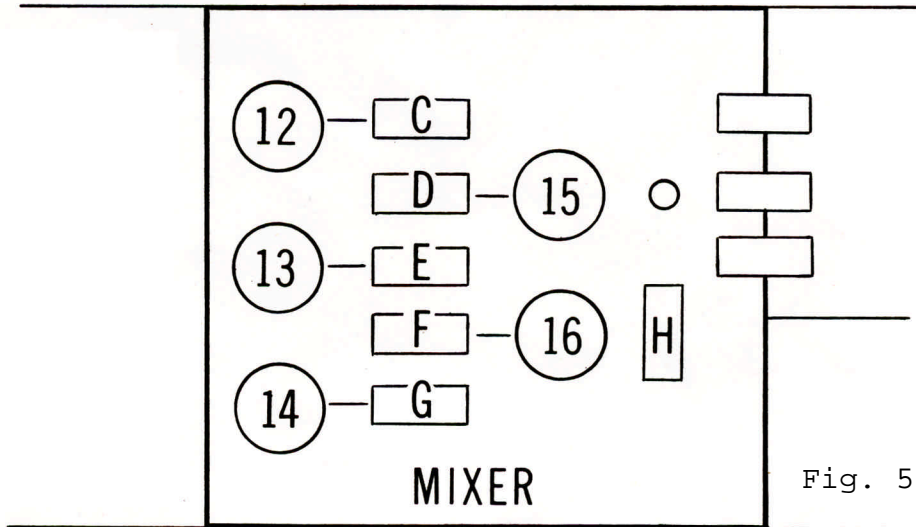


Fig. 5

- 1) The OSCILLATOR VOLUME controls (12, 13, and 14) are used to regulate the relative levels of the audio signals produced by the three oscillators. Switches (C), (E), and (G) instantly turn the individual audio signals on and off. Switch (G) does not affect the control signal produced by Oscillator 3 via the Modulation Mix. The operation of these controls and switches has been discussed earlier.
- 2) The EXTERNAL INPUT VOLUME control (15) is connected to a microphone preamplifier. The input to this preamplifier is the phone jack on the rear panel labelled EXT. SIGNAL INPUT. Any sort of high impedance microphone signal or sound source may be fed into this input. This includes guitar microphone, voice microphone, wind instrument microphone, tape recorder output, radio, etc. Control (15) is adjusted so that the OVERLOAD light blinks on and off occasionally when loud sounds come through the external input. Switch (D) feeds this source into the mixer.
- 3) The NOISE VOLUME control (16) regulates the level of the signal produced by the Noise Source. This source generates a random waveform producing pitchless sound. Two "colors" of noise are available---white, or high-pitched, and pink or low-pitched. These are selected

by the Noise Quality switch (H), labelled WHITE/PINK. As an audio signal, the Noise Source may be fed into the mixer by turning on switch (F). As a control signal, it is available through the Modulation Mix, as described in Section G.

J. MODIFIERS

The Modifiers section of the front panel features controls for the two sound modifiers, the Filter and the Loudness Contour, which respectively shape the overtone content and loudness/time contour of the audio signal as it passes through the modifying circuitry from the mixer. In order to hear the effect of these controls, begin by setting the controls in the oscillator and mixer sections as follows:

Control	Setting
Oscillator MODULATION SWITCH (A)	off
Oscillator 1 RANGE (4)	16'
Oscillator 1 WAVEFORM (5)	narrow rectangular (extreme right)
Oscillator 1 VOLUME (12)	7
Oscillator 1 MIXER switch (C)	on
Other mixer switches (D, E, F, G)	off
Switches (J) (K) (L)	off

The controls on the Modifiers section should still be set as shown in Fig. 1 of Section D.

FILTER

The Mini Moog features a wide-range lowpass filter. This filter attenuates, or cuts out, those frequency components of an audio signal which lie above a variable cutoff frequency, while passing those components which lie below it.

- 1) The CUTOFF FREQUENCY control (17) is used to set the filter's cutoff frequency. Hold down a key and turn this control first clockwise, then counter-clockwise. You will hear the tone become more shrill and then more muted, as the higher overtones are first allowed to pass and then attenuated. If control (17) is moved all the way to the left, the entire signal will be cut out.

- 2) The AMOUNT OF CONTOUR control (19) determines the amount of filter contour applied to the filter's cutoff frequency. Each time a key is depressed, a contour generator attached to the filter is actuated, and sends a control signal to the filter. The control signal rises at one rate, then falls at a second rate, and finally levels off at a certain level. This results in a corresponding rise, fall, and leveling off of the filter cutoff frequency, which we call the "filter contour."

Set the CUTOFF FREQUENCY to -2 and repeatedly depress and hold down a key while setting the AMOUNT OF CONTOUR at various levels. The more this control is turned up, the greater will be the increase and decrease in the brightness of each note. Controls (17) and (19) have an additive effect on the cutoff frequency.

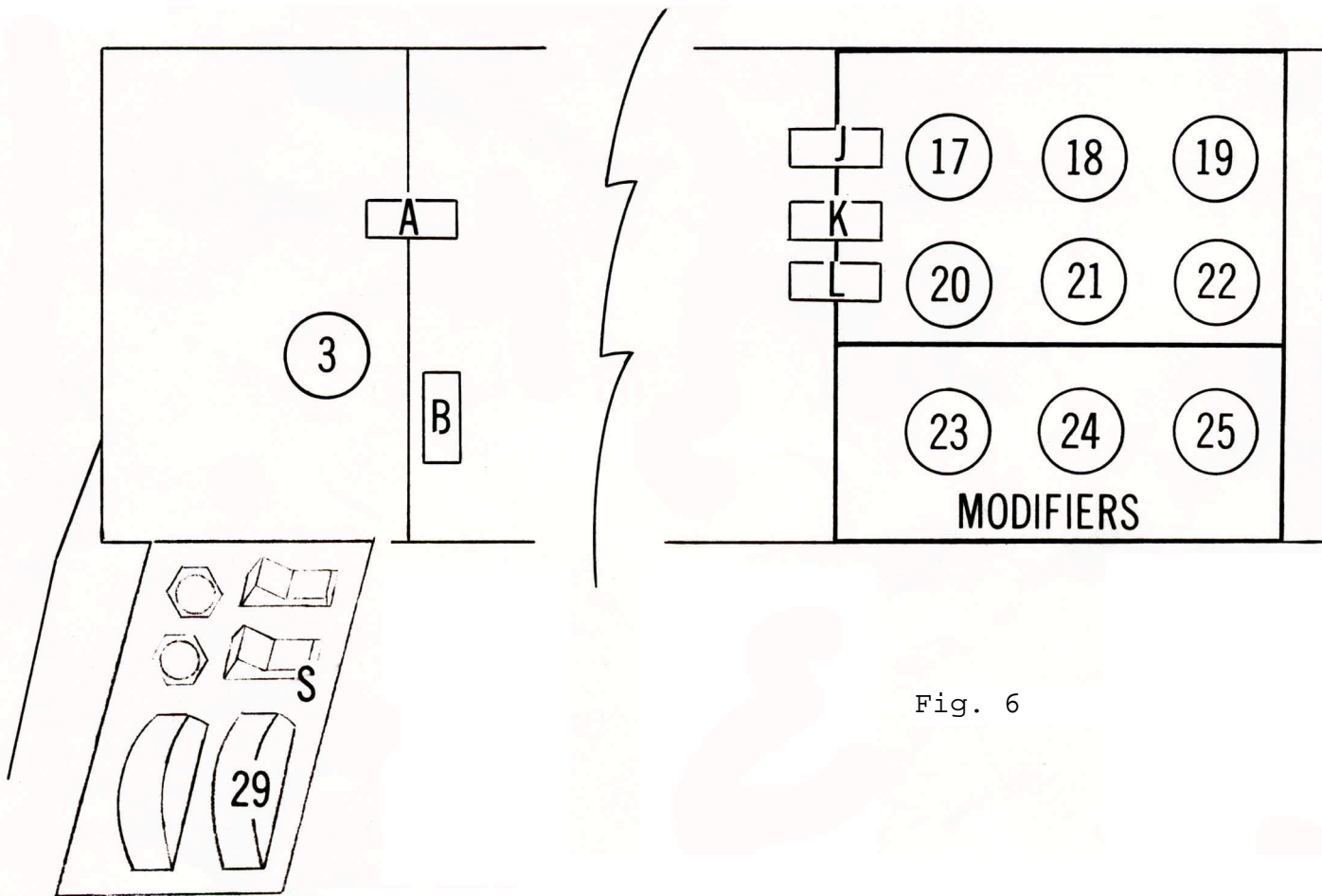


Fig. 6

- 3) The ATTACK TIME control (20) determines the duration of the initial segment of the filter contour. The initial rise of the filter cutoff frequency can be as short as 10 milliseconds or as long as 10 seconds. (The frequency at which the contour begins is determined by control (17), while the peak which it reaches is determined by controls (17) and (19) combined.) Repeatedly depress a key while varying the setting of the ATTACK TIME control from left to right. You will hear the brightness of the note increase sharply at first, and then more gradually as the attack time increases.
4. The DECAY TIME control (21) determines the duration of the second segment of the contour, the fall from the initial peak to the sustain level. The range of this control is about the same as that of the previous control. Set the DECAY TIME control at various levels moving slowly from left to right, while repeatedly depressing a key. At first you will hear the brightness drop sharply after the initial

attack; the drop will become more gradual as the decay time increases.

- 5) The SUSTAIN LEVEL control (22) determines the frequency at which the contour levels off after the initial rise and fall. The frequency of the sustain level can be as high as the initial peak, in which case there is no decay after the initial rise, or it can be as low as the frequency at which the contour began. To hear this most effectively, set the filter controls for CUTOFF FREQUENCY of -2, high AMOUNT OF CONTOUR, and medium DECAY TIME. Now repeatedly depress and hold down a key while setting control (22) at various levels. Set at 0, the contour decay effectively wipes out the signal; set in the middle, the brightness levels off at a frequency somewhere below the initial peak, and set at 10, the brightness of the note rises to an initial peak and remains there.
- 6) The EMPHASIS control (18) introduces a sharp resonance in the response of the filter at the cutoff frequency. The effect of this control can be heard very easily. To observe it, turn the AMOUNT OF CONTOUR fully to the left to shut off the contour signal, and turn the EMPHASIS control to 17_2^* . Depress a key, and turn the CUTOFF FREQUENCY control slowly throughout its range. You should hear the individual overtones of the oscillator waveform being emphasized one by one as the resonance passes over them. Now set the CUTOFF FREQUENCY to about -2, turn the AMOUNT OF CONTOUR all the way up, and repeatedly hold down a key while changing the settings of controls (20), (21), and (22). Notice how the filter contour is now heard as a sweep of the overtone series when (20) and (21) are turned up to about 7 seconds and (22) is set low.

We have seen how the filter cutoff frequency may be controlled manually and using the filter contour controls. These are in addition to other means of controlling the filter.

- 7) The MODULATION MIX (3) of Oscillator 3 and the Noise Source may be used to modulate the filter cutoff frequency in exactly the same way it employed to modulate the pitches of the oscillators. To direct the Modulation Mix to the filter, the FILTER MODULATION switch (J) must be turned on. Then the MODULATION wheel (29) can be moved forward with the left hand to introduce the desired amount of modulation as the keyboard is played with the right hand. To test this, turn (18) and (19) all the way down and set (17) to about 1 or 2. Make sure that the Oscillator Modulation switch (A) and Osc. 3 Control Switch (B) are off, and turn on switch (J). Set the MODULATION MIX control all the way to the left. Oscillator 3's RANGE switch should be set to LO. You will observe as you did when applying the Modulation Mix to the oscillators that the modulation contour depends on the settings of the FREQUENCY and WAVEFORM controls of Oscillator 3. A more complex sound can be made by adding the effects of controls (18) and (19).

8) The two KEYBOARD CONTROL switches (K) and (L) apply the control signal produced by the keyboard to move the filter cutoff frequency up and down. This is important in setting up a sound, for if there is no keyboard control of the filter, the higher notes on the keyboard will sound duller than the lower ones, having more of their overtones attenuated. To observe the effect of these switches, turn off Oscillator 1 (C) and the Filter Modulation switch (J), and set control (17) to 0. Turn on the NOISE SOURCE (F) and set the Noise Quality switch (H) to WHITE. This feeds white noise through filter and amplifier. Turn on switches (K) and (L) and play up and down the keyboard. You will hear the brightness of the white noise increase and decrease according to the position of the key which you have depressed. Switch (K) couples a small amount of keyboard control; switch (L) couples a larger amount. When (K) and (L) are both on, the filter cutoff frequency moves in full response to the keyboard control signal.

* NOTE: When the EMPHASIS control is set to 10, the Filter breaks into oscillation, and produces a pure sine wave tone. It thus is available as a sixth sound source within the MiniMoog. The pitch of this additional oscillator may be controlled by the five other controls on keyboard. The sixth sound source may be used alone or mixed with the other sound sources to achieve a variety of complex effects.

To hear the sixth sound source alone, set up the instrument as follows:

All Mixer switches (C,D,E,F,G)	off
Filter Modulation switch (J)	off
Keyboard Control switches (K & L)	on
Cutoff Frequency (17)	-2
Emphasis (18)	10
Amount of Contour (19)	0

Now hold down or repeatedly strike a key, while experimenting with the following means of controlling pitch:

- 1) Manually, using CUTOFF FREQUENCY control.
- 2) Using Filter Contour Controls (19-22).
- 3) Using the Modulation Mix (see step 7 above).
- 4) Using the Keyboard. Differently tempered scales will result from different settings of (K) and (L).

LOUDNESS CONTOUR

The volume of the audio signal which passes through the Modifiers section of the Mini Moog is contoured by the Loudness Contour controls. These controls are connected to a contour generator which supplies a control signal to the amplifier. Like the filter contour signal, the loudness contour signal is composed of three segments--initial rise, decay, and sustain level. Each time a key is struck, the contour generator is activated, and a note is shaped according to the settings of the contour controls.

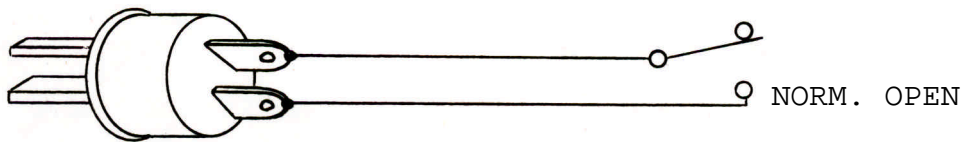
- 9) The ATTACK TIME control (23) determines the duration of the initial rise in volume to a peak. Turn off the Noise Source (F) and turn on Oscillator 1 (C). Move control (23) back and forth while repeatedly pressing down a key. Notice the different qualities which a note takes on as a sharp attack becomes a slow crescendo.
- 10) The DECAY TIME control (24) determines the duration of the drop in volume from the initial peak to the sustain level. The decay can be sharp or gradual.
- 11) The SUSTAIN LEVEL control (25) determines the volume level at which the contour levels off after attack and decay. Set at 0, no sustain level is heard. Set at 5, the contour diminishes to a low volume. Set at 10, no drop in volume is heard after the initial peak is reached.
- 12) Finally, a DECAY switch (S) to the left of the keyboard allows the sound to fade out at the decay time set by control (24), rather than immediately upon release of a key. This final decay then, takes effect after the sustain level segment of the contour. To review the phases of the overall loudness contour: a key is first pressed down. This produces an initial rise in volume, a decay, and a leveling off. The key is then lifted, and the sound is either cut off immediately, or if the DECAY switch is on, fades at the rate set by control (24). Turning on the DECAY switch can impart a life-like quality to notes which seem to terminate too abruptly.
- 13) For sustained sounds and textures, a SHORTING PLUG is provided with the Mini Moog. If this plug is inserted in the TRIGGER INPUT jack at the rear of the instrument, the filter and loudness contours will be triggered and remain at the sustain level. The mixer output will then be amplified at a sustained volume whether or not a key is held down. The keyboard will continue to provide a control signal for determining the oscillators' pitches and the filter's cutoff frequency, according to the settings of switches (B), (K), and (L).

STANDARD ACCESSORIES SHIPPED WITH MINI-D SYNTHESIZER

- 1) Mini brochure & 1971 Catalog
- 2) Mini Instruction Manual
- 3) Warrantee (Reg. Postcard)
- 4) Shorting S-Trig Plug
- 5) "Back Panel Adjustment" Pamphlet
- 6) 6' Phone Cord
- 7) 6' Phone - Phono Cord
- 8) Optional Accessories List

S-TRIG PLUG FOR MINI MOOG MODEL D

When inserted, this plug keeps the contour generators "on" continuously. It can be wired to an accessory foot switch for manual external triggering of notes.



WIRING OF SWITCH TO S-TRIG PLUG

OPTIONAL ACCESSORIES NOW AVAILABLE
FOR USE WITH MINI MOOG MODEL D

1. 958 FOOT PEDAL

This controller can be used to control the volume of the output, pitch of the oscillators, or the cutoff frequency of the filter (timbre). Up to three may be used simultaneously to control all of these functions.

2. 959 X-Y CONTROLLER

This "joystick" simultaneously controls any two of the functions mentioned above. For instance, it can be used to produce vowel-like sounds by controlling the filter and pitch.

3. SEQUENTIAL CONTROLLER SYSTEM

- a. 960 Sequencer
- b. 961 Interface (optional)
- c. 962 Sequential Switch (optional)
- d. 910 Power Supply for above units
- e. Cabinet (portable or walnut console)

This system will automatically and simultaneously control all three functions (pitch, timbre, and volume) in a repeating eight-event sequence. It also triggers the contour generators at the onset of each event. The 962 allows one to extend a sequence of one function to up to 24 events (example: 24 note repeating bass line). The 961 extends flexibility in triggering the contour generators and can be used to synchronize the MINI MOOG with external equipment (example: tape recorded click track).

AVAILABLE SOON

1. FOOT SWITCH

A pair of these will allow the performer to engage momentarily GLIDE and DECAY functions.*

2. DUAL FOOT PEDAL

Essentially this device will contain two 958 Foot Pedals for simultaneous control of timbre and volume.

* With a different plug the foot switch will supply an external S-Trigger.

LEFT HAND CONTROLLER

EXTERNAL CONTROL OF GLIDE AND FINAL DECAY.

The rocker switches in the left hand controller section have replaced the momentary push buttons used previously. Jacks have been added so that the performer can connect foot switches to engage GLIDE and DECAY functions. R. A. Moog will soon make these momentary switches available as an accessory.

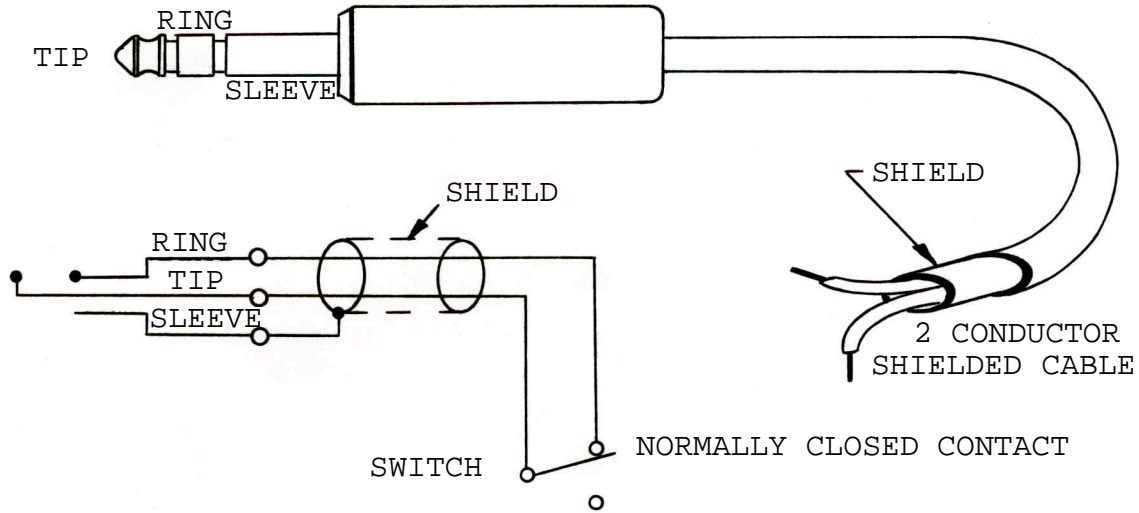
With no external switch connected and the GLIDE switch turned "off" there will be no portamento. When the GLIDE switch is turned "on" the pitch will glide between notes at a rate set by control 2 (see page 8 paragraph 12). When the performer connects the external foot switch, he can momentarily engage portamento when the GLIDE switch is off by depressing the switch button. The foot switch has no effect if the GLIDE switch is already on.

The external control of the DECAY function works in an analogous fashion.

To prevent confusion of the external foot switch cords with input and output audio and control voltage cords, the jacks for DECAY and GLIDE are 0.206" dia. instead of 0.250" dia. The jacks mate with Switchcraft S-260 plugs instead of ordinary 1/4" phone plugs.

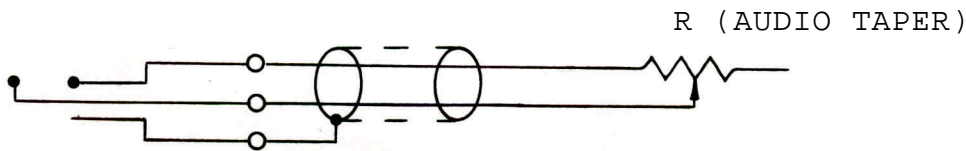
The external switch is a normally closed type. It opens when the button is depressed.

TYPICAL S-260 JACK



It is possible to connect a foot pedal rather than foot switch to the GLIDE jack. With the GLIDE switch set to "off" one can adjust the portamento speed to any value faster than that set by control 2. (The foot pedals used for volume, filter, and oscillators will not work for this purpose.)

Similarly one can wire an external foot pedal to adjust DECAY to any value faster than the time set by control 21 or 24.



R = 10 MEG (GLIDE)

R = 2.5 MEG (DECAY)

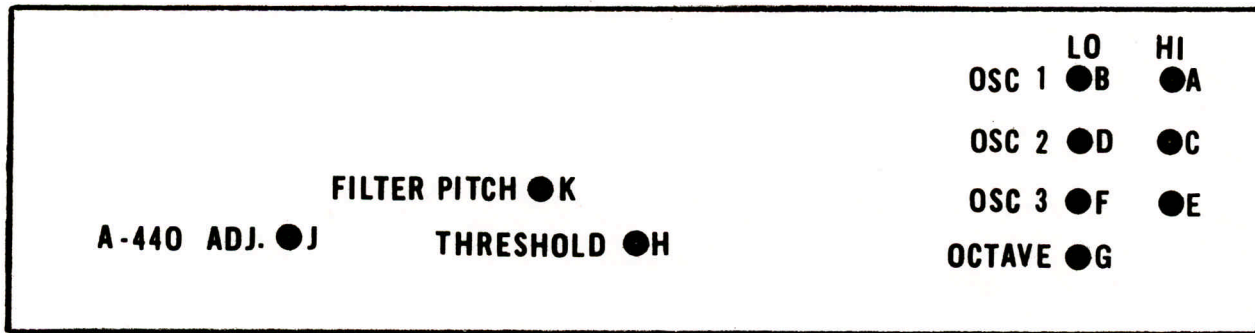
A photoresistor can be used in place of a potentiometer.

MINI MOOG MODEL D

Back Panel Adjustments (on instruments with serial number 1237 and higher)

As with any fine musical instrument, the MINIMOOG may require periodic tuning and adjustment. Holes in the back panel provide access to internal trim potentiometers for necessary adjustments. DO NOT ATTEMPT TO REMOVE THE BACK PANEL. This should be removed only by a qualified service technician.

LOCATION OF REAR PANEL ADJUSTMENTS



*

HOW TO TUNE THE OSCILLATORS

1. Turn on POWER switch to allow instrument to warm up for 10 minutes before making adjustments.
2. Set front panel controls as shown in Figure 1 and make sure Pitch Bender Wheel is in center position.

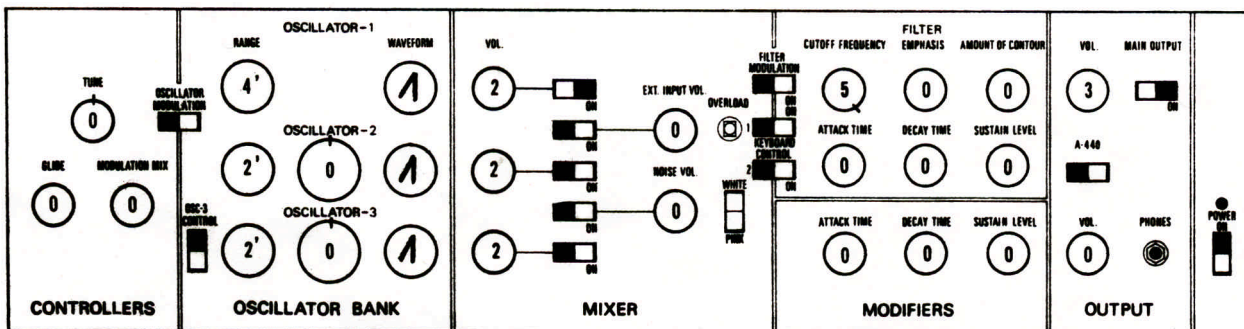


Figure 1

3. Turn on A-440 reference oscillator.
4. Hold down highest A on keyboard, using a pencil or similar device to keep the key depressed throughout the entire oscillator tuning procedure.

5. Using a small screwdriver with an insulated handle, turn OSCILLATOR 1 high end adjustment (A) and tune OSCILLATOR 1 using zero beat method two octaves above the reference oscillator. (Do not touch metal shaft of screwdriver as this will affect tuning).
6. Depress lowest A on keyboard and zero beat one octave below reference oscillator, using OSCILLATOR 1 low end adjustment (B).
7. Set OSCILLATOR 1 range to 32' and adjust using octave tune adjustment (G) zero beat one octave below reference oscillator.
8. Turn off reference oscillator.
9. Set OSCILLATOR 1 to 2' range.
10. Turn on OSCILLATOR 2.
11. Tune OSCILLATOR 2 to OSCILLATOR 1, using OSCILLATOR 2 high end adjustment (C).
12. Depress lowest A key and zero beat OSCILLATOR 1 with OSCILLATOR 2 using OSCILLATOR 2 low end adjustment (D).
13. Repeat steps 9 through 12 tuning OSCILLATOR 3 to OSCILLATOR 1.

* —————

HOW TO TUNE THE FILTER

(This is factory set and rarely, if ever, needs adjustment)

1. Set the front panel controls as shown in Figure 2.

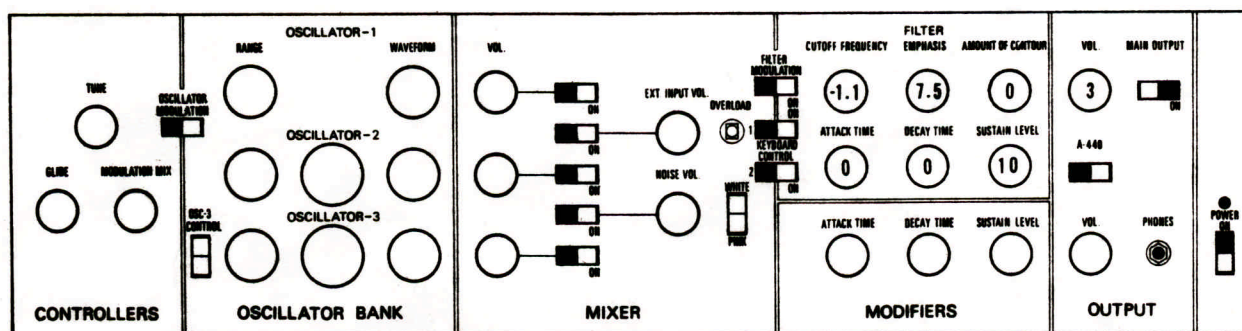


FIGURE 2

2. Insert S-TRIG Shorting Plug supplied with the instrument.
3. Adjust filter resonance threshold adjustment (H) until tone is barely audible.
4. Turn FILTER EMPHASIS control on front panel to 10.
5. Turn on A-440 reference oscillator.
6. Tune filter resonance to A-440 tone using filter pitch adjustment (K).

CREDITS FOR THIS MANUAL

Ultimate Credit to:
Bob Moog and all the folks at Moog Music Inc

The original Manual was written by the excellent:
Thom Rhea

This manual was type-set based on text created by:
Mike Hall

Image Scanning, Quark work, new type-setting, PDF work by me:
www.fantasyjackpalance.com

My personal thanks goes to:
Neolase
John O'Callaghan

————— * —————